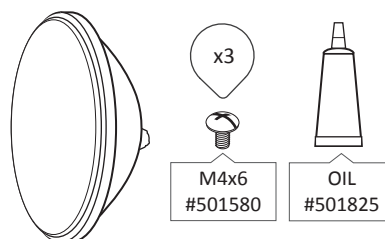


## PAR56 LED LAMP FOR SWIMMING POOL – WHITE LIGHTING

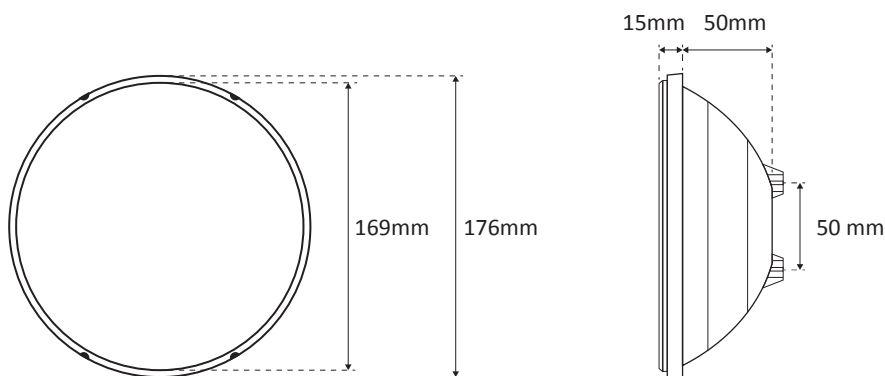


Model : **502815 - 502808**  
 Type : 60 LED 3528 / 120°  
 Color : cold white 6500K  
 Control : On/Off  
 Material : Polycarbonate (PC)  
 Wire connection : 2 screw terminals  
 HS code : 9405423190  
 Bar code : 3700450502815  
 Bar code : 3700450502808

### CONTENTS OF THE PACKAGING



### DIMENSIONS



### PACKING

Part Number	Box	Weight	Size	Carton	Weight	Size	Pallet	Weight	Size
502815	1U	0,58kg	17x17x17cm	6U	4,15kg	53x36x18cm	360U	260kg	100x120x205cm
502808	N/A	N/A	N/A	12U	6,3kg	54x39x20,5cm	648U	354kg	100x120x213cm

## PHOTOMETRY

Ra (IRC) : 85  
 Beam angle : 120°  
 Nominal luminous flux : 1450 lumens max.  
 Extractable light source : ALP01  
 Light source energy class : D  
 his swimming pool luminaire contains an extractable LED light source of type ALP01 and energy class (D)



## ELECTRICAL PARAMETERS

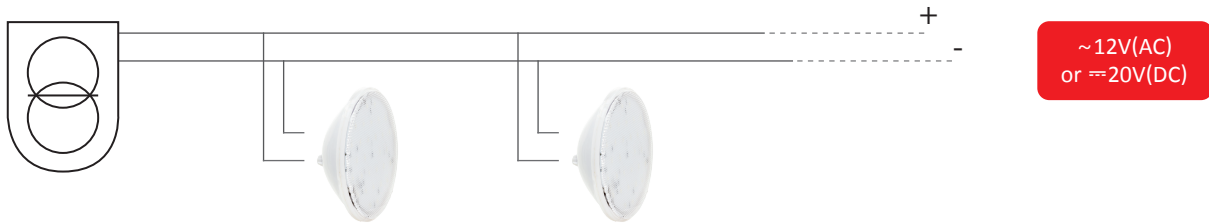
Instant power max : 13W  
 Input voltage : ~12V(AC) 50/60Hz or =20V(DC)  
 PF max : 0,7 if ~12V(AC)  
 PF max : 1 if =20V(DC)  
 Mini power supply ~12V(AC) [(Pi /PF)+20%] : 23VA  
 Electric Class : III



**CLASS III**  ~12V(AC)  
 =20V(DC)

## CONNECTION

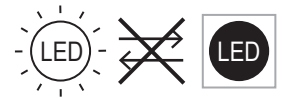
Use a 2 x 1mm<sup>2</sup> minimum cross section of connecting cable, to adapt according to the distance between the junction box of the projector and the transformer well as the power input.



USE ONLY WITH A SAFETY TRANSFORMER / DO NOT PLUG IN SERIES /  
 PROTECT THE CONNECTOR WITH INSULATING GEL

## OTHER PARAMETERS

Protection index : IP68  
 LED life span : > 10 000h  
 On/Off cycles : > 100 000  
 Use : This pool light is designed for use in permanent immersion in water with a IP68 waterproof rating. The spin welding assembly process of the optical part with its support, does not allow its reparability. The light source is not replaceable and in case of failure, it is necessary change all the luminaire.



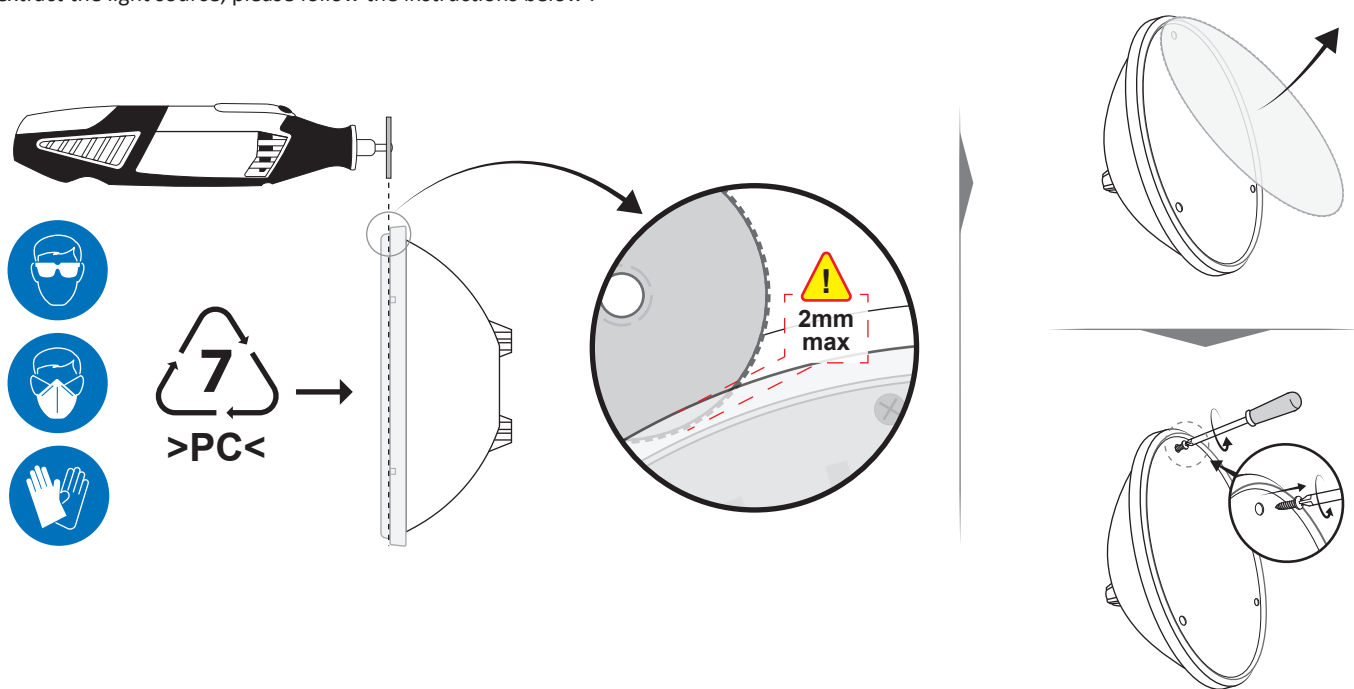
## CERTIFICATION

EMC 2014/30/EU Directive.  
 EN60598-1 / EN60598-2-18 Norm in all its modifications.  
 EMC Regulations 2016 (UK).  
 Electrical Equipment Regulations 2016 (UK).

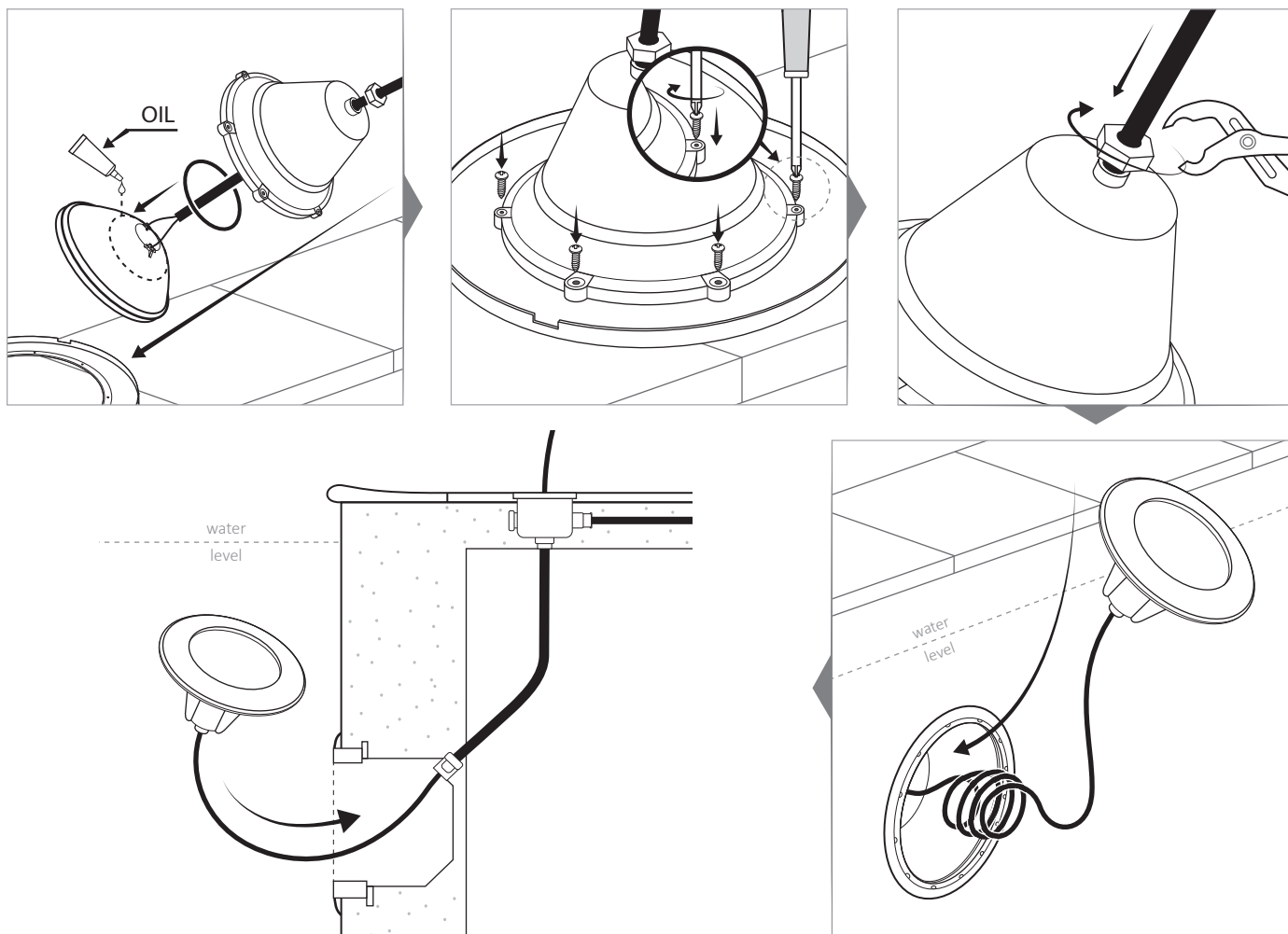


### VARIOUS

To extract the light source, please follow the instructions below :



### PRINCIPLE OF INSTALLATION



For more information, see the product leaflet